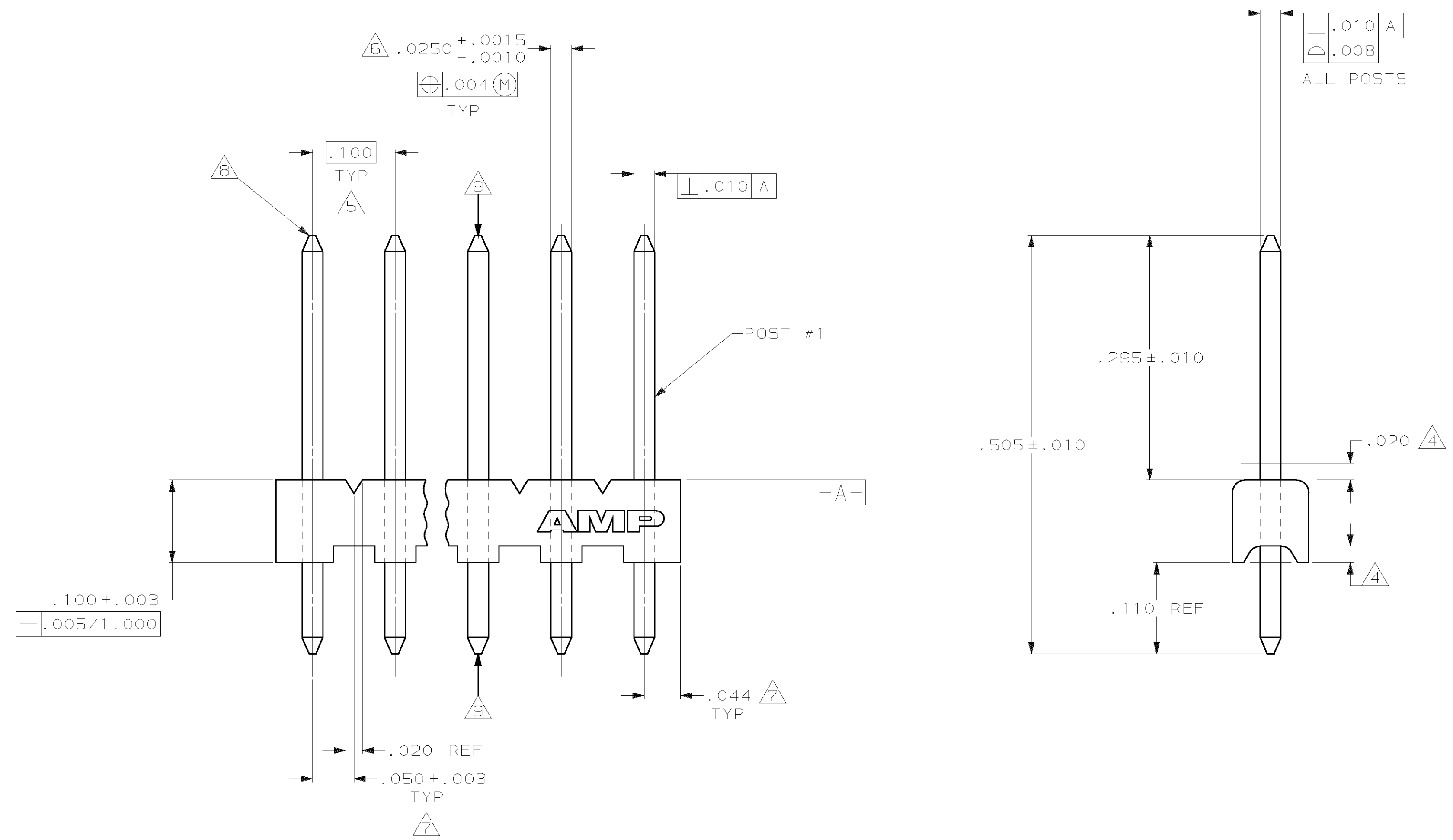
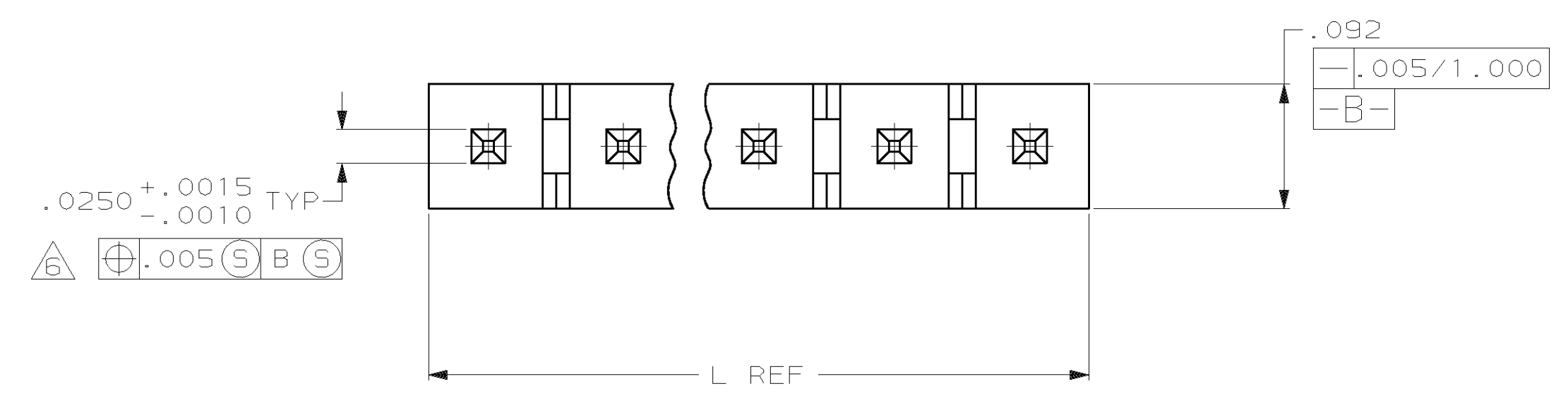


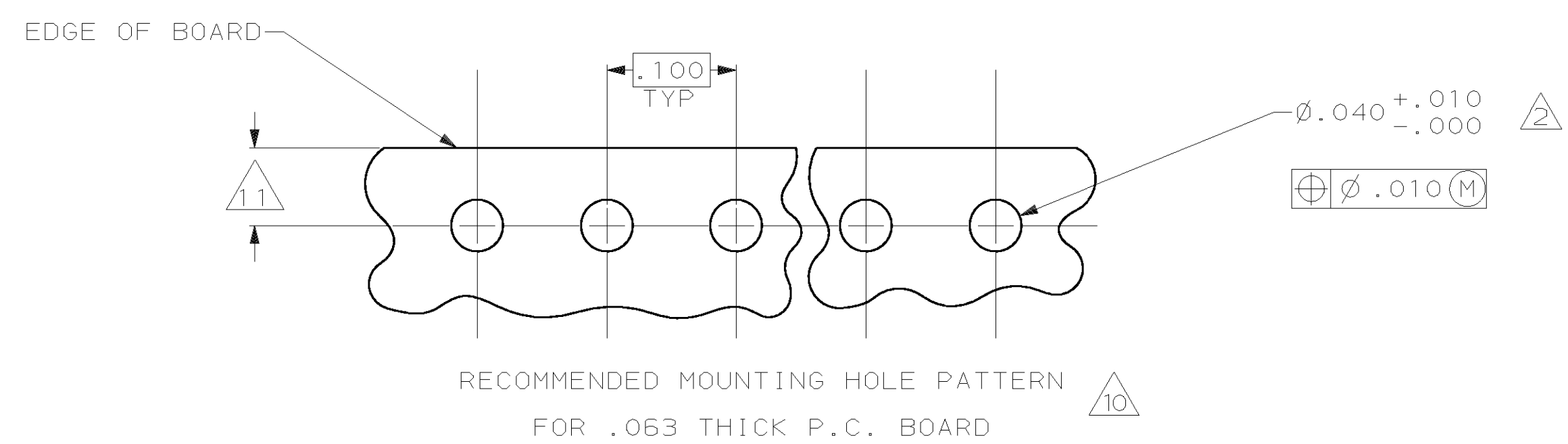
REVISONS		DATE	APPD
CM	54	18-AUG-99	KW
DESCRIPTION			
A		REVISED PER EC 061B-0075-99	

- 1 MATERIAL:
 BASE: THERMOPLASTIC POLYESTER, UL 94V-0 (NATURAL).
 POST: COPPER ALLOY (GOLD PLATED, .000030 MIN THK).
- 2 ONE HOLE MAY BE UNDERSIZED (.032 - .035 DIA) FOR ASSEMBLY RETENTION DURING WAVE SOLDERING.
3. PARTS MUST COMPLY WITH AMP SOLDERABILITY SPEC 109-11-2.
- 4 PLASTIC AROUND POST PERMISSIBLE IN THIS AREA ONLY.
- 5 DIMENSION APPLIES WHEN HEADER IS HELD FLAT.
- 6 MEASURED AT -A-.
- 7 COORDINATE DIMENSION APPLIES FROM CENTER OF ACTUAL FEATURE.
- 8 RADIUS AT TIP PERMITTED, BOTH ENDS.
- 9 POST MUST WITHSTAND 3.0 LB (13 NEWTONS) MIN AXIAL FORCE IN BOTH DIRECTIONS WITHOUT DISLODGING.
- 10 TOLERANCES APPLY TO SOLDER SIDE OF BOARD.
- 11 DIMENSION SHOULD BE .060 MIN WHEN MATING WITH A MTA-100 CONNECTOR ASSEMBLY OR A CST-100 CONNECTOR.
12. AMP LOGO MAY OR MAY NOT APPEAR ON MOLDING HOUSING.



NO. OF POSTS	IN	MM	NO. OF CIRCUITS	PART NUMBER
28	2.788	70.82	28	2-644884-8
27	2.688	68.28	27	2-644884-7
26	2.588	65.74	26	2-644884-6
25	2.488	63.20	25	2-644884-5
24	2.388	60.66	24	2-644884-4
23	2.288	58.12	23	2-644884-3
22	2.188	55.58	22	2-644884-2
21	2.088	53.04	21	2-644884-1
20	1.988	50.50	20	2-644884-0
19	1.888	47.96	19	1-644884-9
18	1.788	45.42	18	1-644884-8
17	1.688	42.88	17	1-644884-7
16	1.588	40.34	16	1-644884-6
15	1.488	37.80	15	1-644884-5
14	1.388	35.26	14	1-644884-4
13	1.288	32.72	13	1-644884-3
12	1.188	30.18	12	1-644884-2
11	1.088	27.64	11	1-644884-1
10	.988	25.10	10	1-644884-0
9	.888	22.56	9	644884-9
8	.788	20.02	8	644884-8
7	.688	17.48	7	644884-7
6	.588	14.94	6	644884-6
5	.488	12.40	5	644884-5
4	.388	9.86	4	644884-4
3	.288	7.32	3	644884-3
2	.188	4.78	2	644884-2

IN	MM	IN	MM
.032	0.81	-	-
.0250	0.635	1.000	25.40
.025	0.64	.505	12.83
.020	0.51	.295	7.49
.010	0.25	.110	2.79
.008	0.20	.100	2.54
.005	0.13	.092	2.34
.004	0.10	.063	1.60
.003	0.08	.060	1.52
.0015	0.038	.050	1.27
.0010	0.025	.044	1.12
.000030	0.00076	.040	1.02
.000	0.00	.035	0.89



METRIC

DO NOT SCALE PRINT. UNLESS SPECIFIED DIMENSIONS IN INCHES TOLERANCES ON: 2 PLC DEC ± - 3 PLC DEC ± .005 ANGLES ± -	DR 3-27-96 R. VESTAL CHK 3-27-96 R. SWING APPD 3-27-96 R. WILSON APPD 3-27-96 R. WILSON	AMP INCORPORATED Harrisburg, Pa. 17105	
MATERIAL	PRODUCT SPEC	NAME MTA-100 HEADER ASSEMBLY, NARROW, .025 SQUARE STRAIGHT POST, .000030 GOLD PLATED	
FINISH	APPLICATION SPEC	SIZE D	CAGE CODE 00779
	WEIGHT	DRAWING NO. 644884	SHEET 1 OF 1